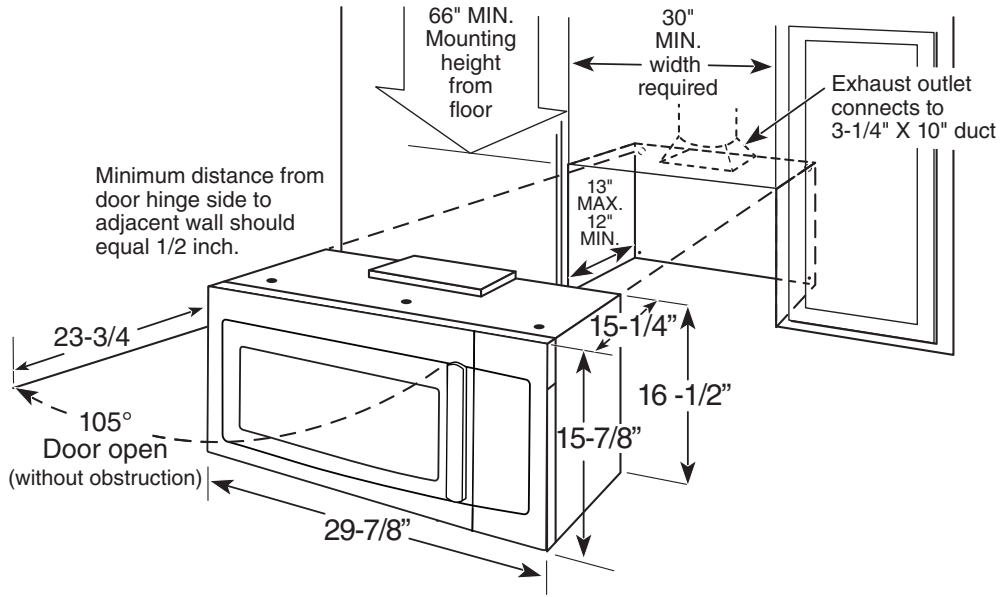


RVM5160DHW/CC/BB

Hotpoint® 1.6 Cu. Ft. Over-the-Range Microwave Oven

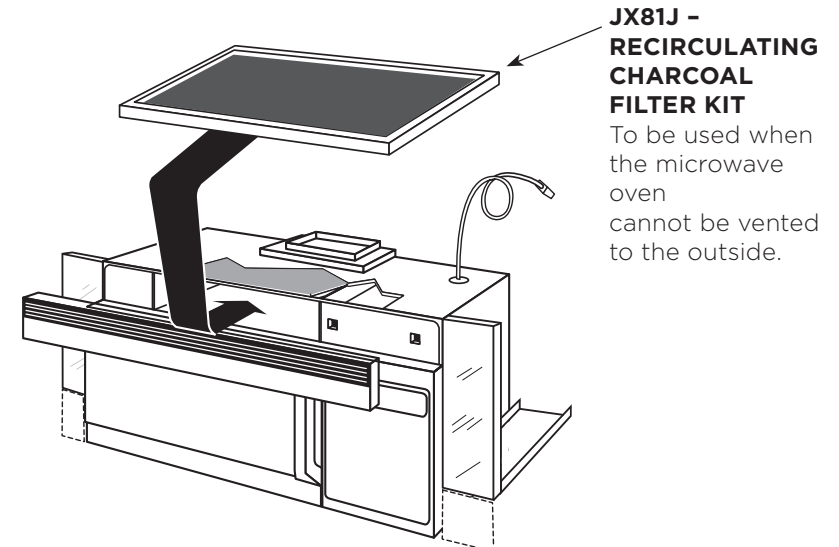
DIMENSIONS (IN INCHES)



IMPORTANT INFORMATION: When installing the microwave oven over a range, allow minimum of 2" from bottom of microwave oven to top of range backguard to allow for removal of light covers.

INSTALLATION INFORMATION: This information is not intended to be used for installing unit described. Before installing, consult installation instructions packed with product/kit for current dimensional data.

OPTIONAL ACCESSORIES (AVAILABLE AT ADDITIONAL COST)



VENTILATION OPTIONS: The microwave oven is designed for adaptation for the following three types of ventilation:

OUTSIDE EXHAUST (Vertical - Delivered from factory in vertical position)

OUTSIDE EXHAUST (Horizontal)

Recirculating (Non-vented ductless)



Listed by Underwriters Laboratories

Specification Revised 7/22

RVM5160DHW/CC/BB

Hotpoint® 1.6 Cu. Ft. Over-the-Range Microwave Oven

FEATURES AND BENEFITS

1.6 cu. ft. capacity - 1000 Watts (IEC-705 test procedure)

Convenience cooking controls - Operating made quick and easy

Auto and time defrost - Defrosting times and power levels are programmed automatically or manually for optimal results

Turntable - Rotates food throughout the cycle

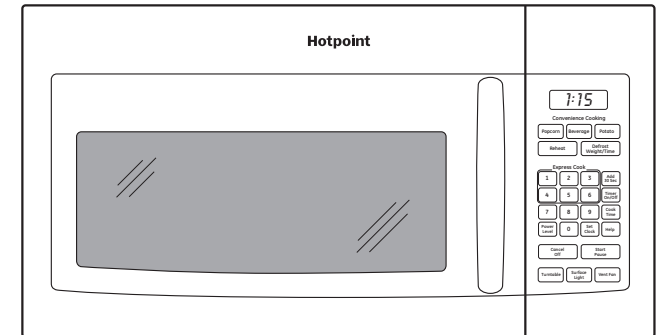
Two-speed, 300-CFM venting system - Quickly removes smoke and steam from cooktop

Add 30 seconds - Add 30 seconds of microwave cooking time

Model RVM5160DHBB - Black

Model RVM5160DHCC - Bisque

Model RVM5160DHW - White



CONTACT US

Tel. 800.424.8550

sales@twstransworld.com



Miami · Ft. Lauderdale · Orlando · New York · Dallas